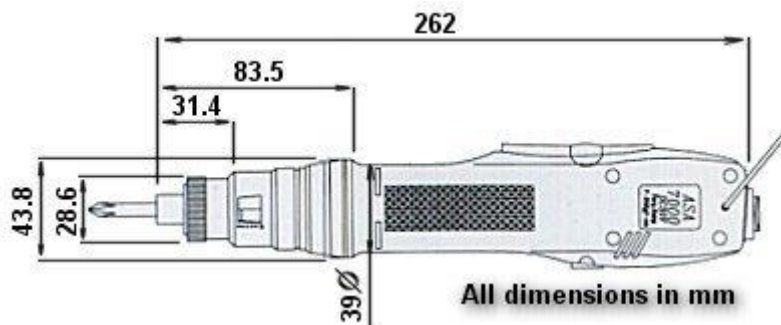


Data Sheet

EA-7000 – EA-9000

**A range of Straight Electric Screwdrivers.
External Torque Adjustment - Auto Shut Off.
Trigger or Push to Start Options.
ESD (Anti-static) Versions Available.**



Model	Torque Range			No Load Speed	Suitable Machine Screw	Suitable Tapping Screw
	Kgf-Cm	Lb-in	N - m	RPM		
SUEA-7000 Trigger or Push Start	7.0 ~ 20.0	6.1 ~ 17.4	0.686 ~ 1.96	700	2.6 ~ 4.0mm	2.6 ~ 3.5mm
SUEA-7500 Trigger or Push Start	7.0 ~ 30.0	6.1 ~ 26.0	0.686 ~ 2.92	1000	2.6 ~ 5.0mm	2.6 ~ 4.0mm
SUEA-8000 Trigger or Push Start	12 ~ 30.0	10.4 ~ 26.0	1.176 - 2.92	550	3.56 ~ 5.0mm	3.0 ~ 4.0mm
SUEA-8500 Trigger or Push Start	12 ~ 40.0	10.4 ~ 34.7	1.176 - 3.92	700	3.50 ~ 5.5mm	3.0 ~ 4.5mm
SUEA-9000 Trigger or Push Start	20.0 ~ 50.0	17.3 ~ 43.5	1.96 ~ 4.90	500	4.0 ~ 6.0mm	4.0 ~ 5.0mm